

Installation Instructions

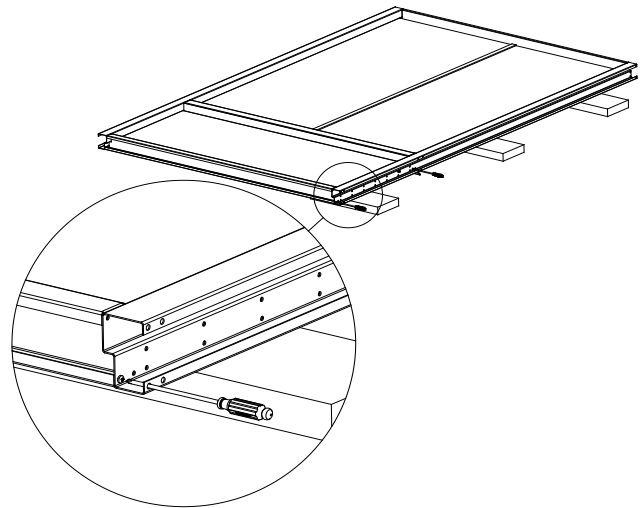
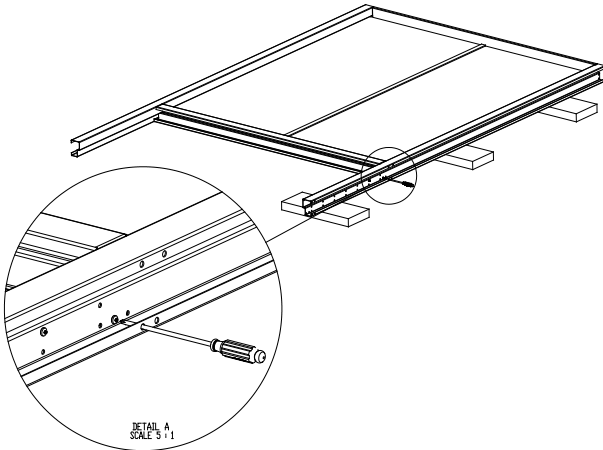
G15, G20, RX15, AC15 double doorsets, with integral frame adjusters and solid transom.



Tel 01522 693522
www.doortechnik.co.uk

To install DoorTechnik doorsets correctly and safely, please read these instructions before starting the installation.

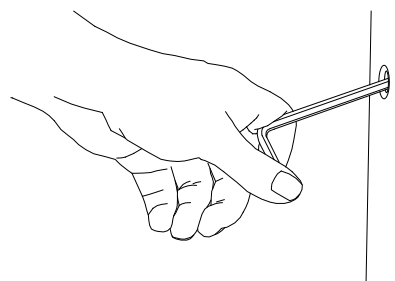
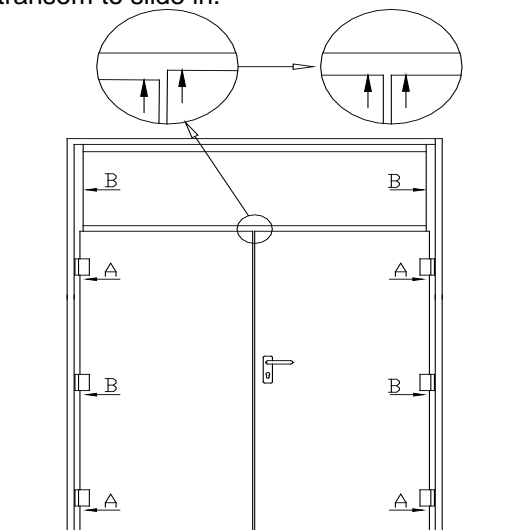
Fire rated doorsets must be sealed as described in Step 11 to comply with the as-tested fire certification.



1. Assemble the doorset in front of the opening.
Lay out the 2 door leaves on packaging bearers, then attach the frame head and threshold with 4 taptite screws to each corner. Do not fully tighten head screws to allow transom to slide in.

2. Slide transom between jambs then attach to frame with taptite screws. Tighten all screws.

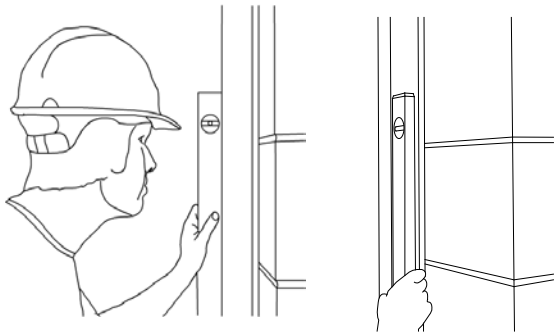
Weight warning: comply with local manual handling guidelines.



3. Align and grip the doorset in the opening, using the frame adjusting screws A in the corners, then the middle adjusters B.
Note that when viewed from the pull side, the tops of the doors must be level with each other..
If the floor is not level, fit packers under the jambs and threshold.
Ensuring all locks are fully engaged, lift the doorset up into position.

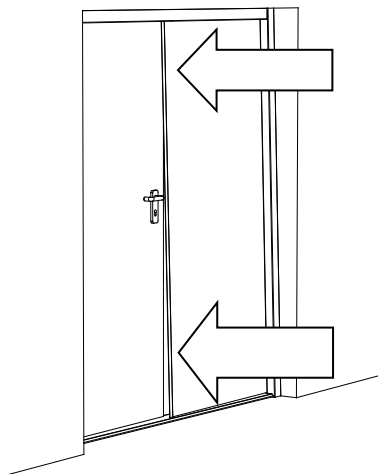
4. Tighten the frame adjusters clockwise, with a 5mm ball-ended Allen key, until the ends of the spreader plates are flat against the wall.

Access is gained through the countersunk holes in the jambs, angling the key 20° from horizontal.



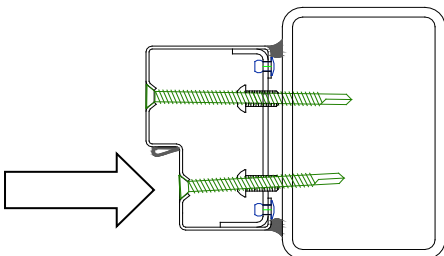
5. Ensure the frame is vertical, in both planes.

Warning: do not open the doors until first fixings are in place, at step 6.



7. Open the doors, discard the transit packings, then close and lock the fixed leaf. With the active leaf nearly closed, check the alignment between the active leaf lock edge, and the slam bar frame seal, at both the top and bottom of the doors.

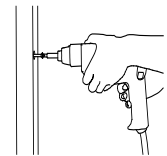
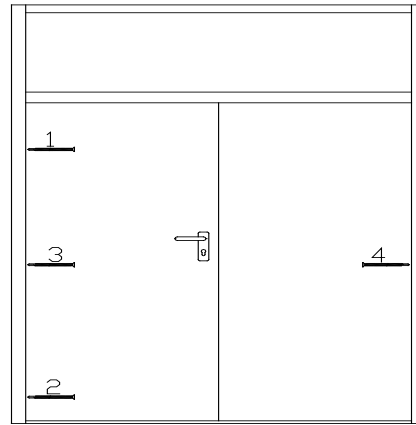
Pivot the fixed leaves hinge jamb about the central fixing to achieve an even gap between the face of the active leaf and the slam bar seal.



9. Open the doors fully, then tighten the 2nd set of frame adjusters in the reveals.

10. Using short frame fixings screws, second fix through the countersunk holes in the frame reveals

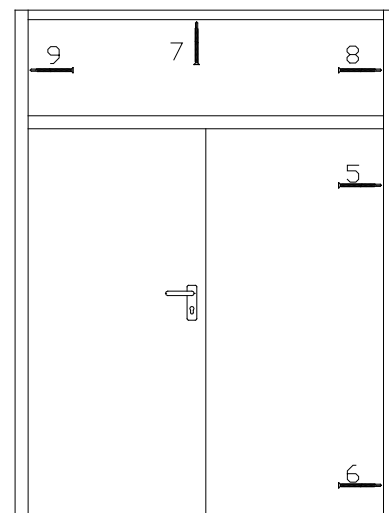
- For steel, use ITW Buildex TFL 80 or similar.
- For masonry, use Rawl frame fixings 8x100 or similar.



6. Using long countersunk frame fixings, first fix as shown, with 3 fixings in the active leaf jamb and 1 in the fixed leaf jamb.

- For steel, use ITW Buildex TFL 100 or similar.
- For masonry, use Rawl frame fixings 8x120 or similar.

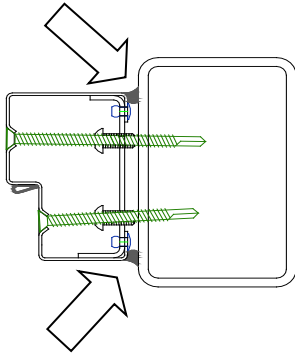
Vibration from a hammer drill can loosen the frame adjusting screws, so re-check tightness of the adjusters prior to inserting masonry fixings.



8. Close the active leaf again, then fit the last 2 fixings into face 5 of the fixed leaf jamb and fixings into transom and head.

11. Fix threshold to floor with countersunk screws

- For steel, use ITW Buildex TFL 65 or similar.
- For masonry, use Rawl frame fixings 8x60 or similar.



12. Apply mastic or flashings to seal frame to building. Fire rated doorsets must be sealed as shown, all round the frame, using either:

- Siroflex Flameguard
- Gluske Kerafix

or similar fire retardant silicones.

13. Seal threshold to floor to avoid water ingress.

14. Adjust any door closers to suit the on-site requirements. Refer to separate instruction sheet for full details.

15. Check operation of all locking mechanisms.